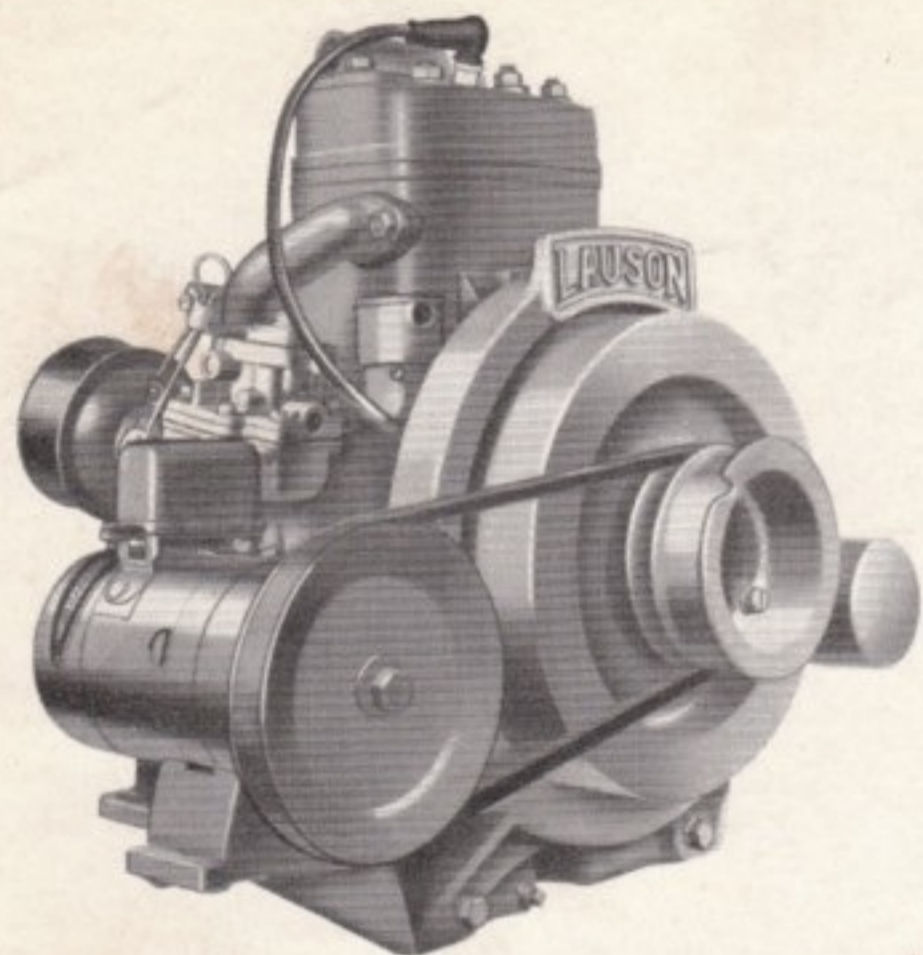


## Lauson 4-Cycle Water Cooled Inboard Marine Engine



**MODEL PMM-827 INBOARD MARINE ENGINE**  
4-CYCLE — L-Head, vertical, single cylinder,  
direct drive

DISPLACEMENT—17.85 cubic inches.

BORE—2 $\frac{7}{8}$ ".

STROKE—2 $\frac{3}{4}$ ".

HORSE POWER—5

DIRECTION OF ROTATION — (Viewed from  
power take off side) (Counterclockwise)

PISTON—Special aluminum alloy, heat treated.

PISTON PIN—Full floating type.

PISTON RINGS—1 compression, 1 scraper, and  
1 oil control ring.

CONNECTING ROD—Drop forged steel with re-  
movable steel back bearing liners.

CRANKSHAFT—S. A. E. No. 1045 drop forged  
steel, heat treated.

MAIN BEARINGS—Sealed type, ball bearings.

VALVE INSERTS—Moly-nickel chrome iron.

IGNITION—High tension, flywheel type magneto

SPARK PLUG SIZE—14 MM.

CARBURETOR—Float feed type, adjustable.

LUBRICATION—Pump and splash.

STARTER—Electric and rope.

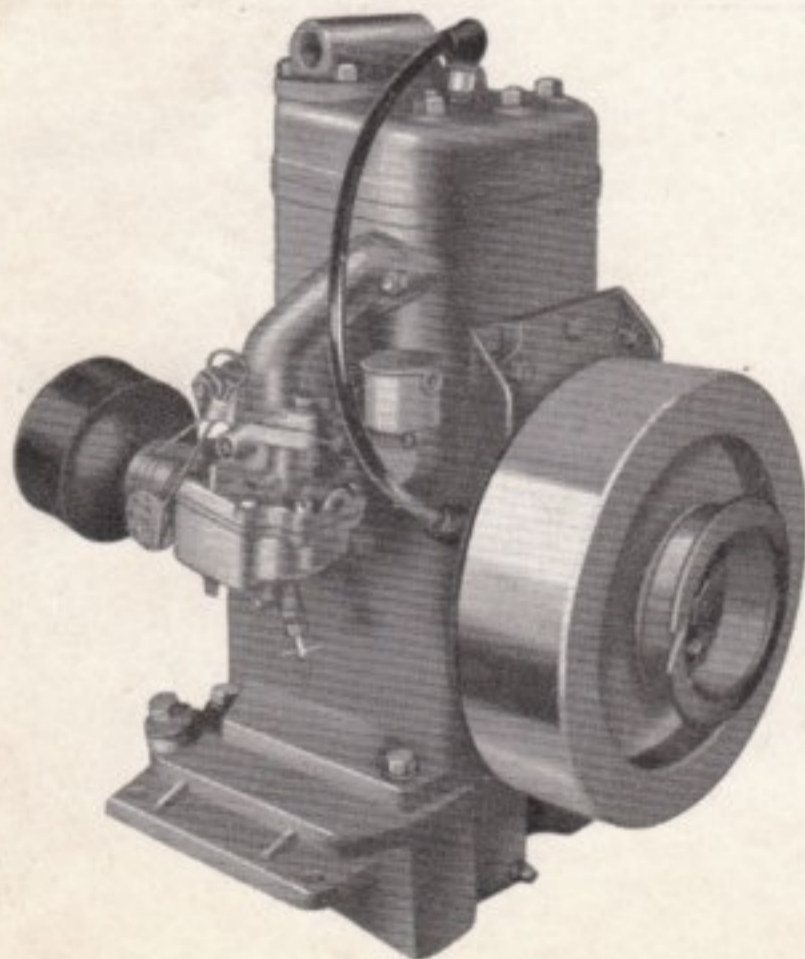
OIL CAPACITY—2 quarts.

NET WEIGHT—Approx. 130 lbs.

DOMESTIC SHIPPING WGT.—Approx. 155 lbs.

EXPORT SHIPPING WGT.—Approx. 165 lbs.

EXPORT DIMENSIONS—Approx. 20x25x23 in.



**MODEL PMM-826 INBOARD MARINE ENGINE**  
4-CYCLE — L-Head, vertical, single cylinder,  
direct drive

DISPLACEMENT—17.85 cubic inches.

BORE—2 $\frac{7}{8}$ ".

STROKE—2 $\frac{3}{4}$ ".

HORSE POWER—5

DIRECTION OF ROTATION — (Viewed from  
power take off side) (Counterclockwise)

PISTON—Special aluminum alloy, heat treated.

PISTON PIN—Full floating type.

PISTON RINGS—1 compression, 1 scraper, and  
1 oil control ring.

CONNECTING ROD—Drop forged steel with re-  
movable steel back bearing liners.

CRANKSHAFT—S. A. E. No. 1045 drop forged  
steel, heat treated.

MAIN BEARINGS—Sealed type, ball bearings.

VALVE INSERTS—Moly-nickel chrome iron.

IGNITION—High tension, flywheel type magneto

SPARK PLUG SIZE—14 MM.

CARBURETOR—Float feed type, adjustable.

LUBRICATION—Pump and splash.

STARTER—Rope.

OIL CAPACITY—2 quarts.

NET WEIGHT—Approx. 95 lbs.

DOMESTIC SHIPPING WGT.—Approx. 125 lbs.

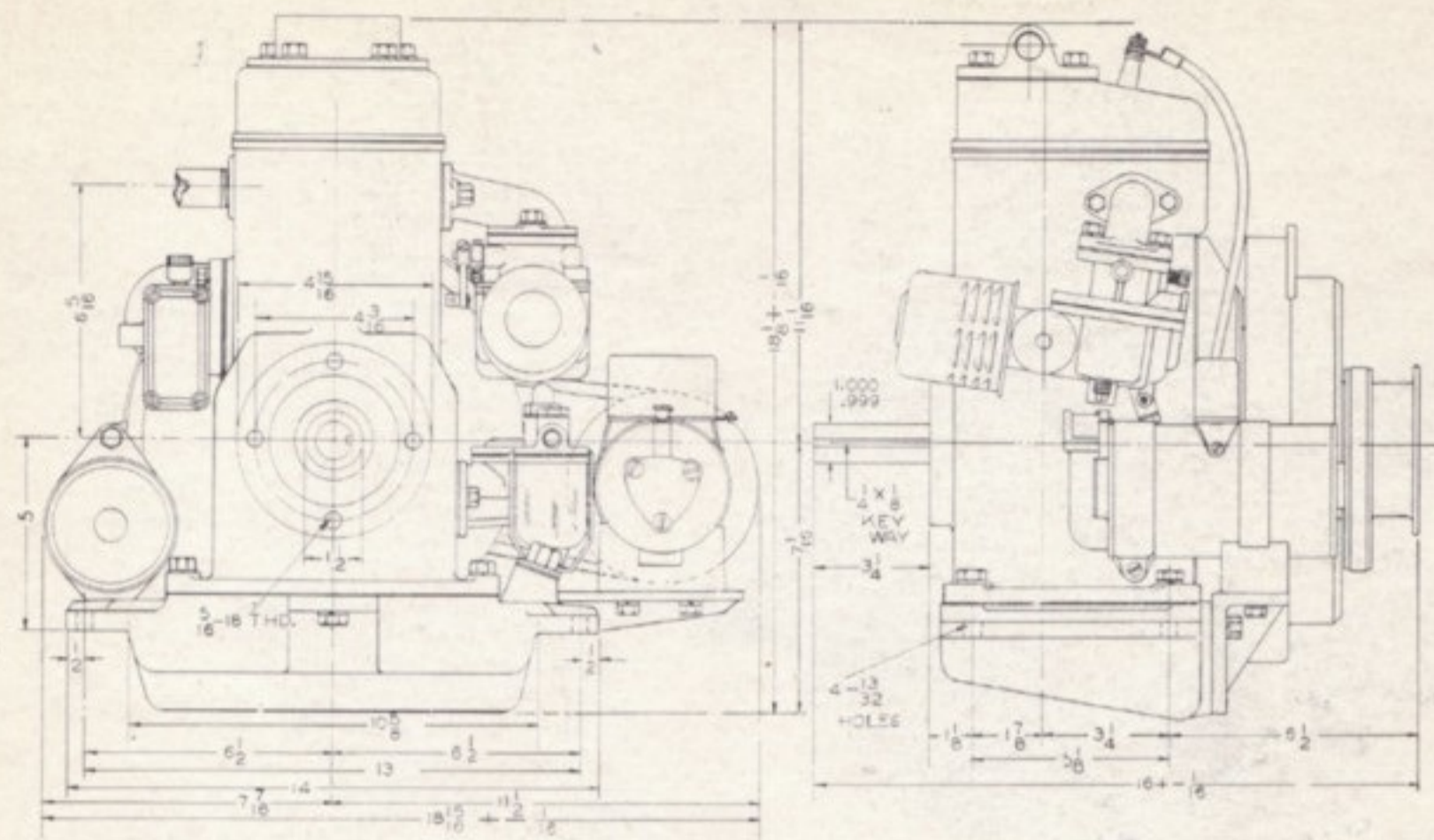
EXPORT SHIPPING WGT.—Approx. 135 lbs.

EXPORT DIMENSIONS—Approx. 18x20x23 in.

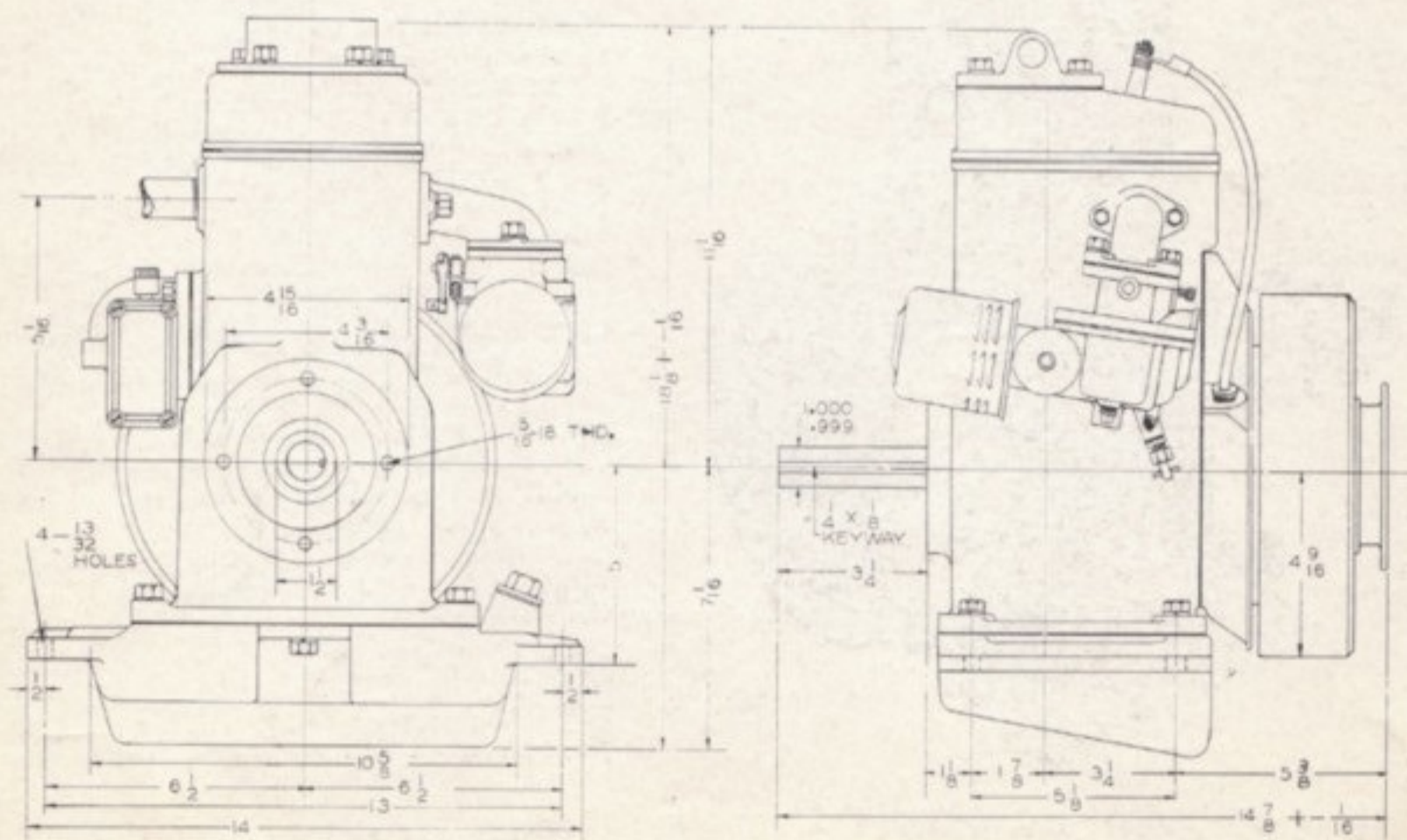
**THE LAUSON COMPANY - New Holstein, Wisconsin, U. S. A.**

A DIVISION OF HART-CARTER COMPANY  
MEMBER OF INTERNAL COMBUSTION INSTITUTE

DIMENSIONAL SPECIFICATIONS



MODEL PMM 827



MODEL PMM 826